



Description: modular direct emission LED system, composed of an extruded aluminum profile, which can be used both individually and in a continuous row for create cuts of light without interruptions. Thanks to the complete range of accessories, it constitutes a versatile and easy-to-install system: available in the ceiling-mounted versions with ABS spacers h.10mm supplied, suspension and wall fixing using accessories to be ordered separately.

Body: profile in aluminum alloy 6060 T5, painted in "dry" white color with thermosetting epoxy powders at 180 ° C, after degreasing, phosphating and washing treatment. Other colors according to the RAL range are available on request. Supplied without heads and installation accessories (to be ordered separately).

Optical group: PST optic with satin opal polycarbonate diffuser, with a smooth finish, ideal for uniform distribution. Optic snap fastened to the luminaire body without the use of tools. Glow-wire test 850 ° C. Protection degree IP40.

Wiring: power supply 220-240V 50 / 60Hz with rigid cable, sect. 0.50 mm² e PVC-HT sheath resistant to 90 ° C according to CEI 20-20 standards. Terminal block with maximum allowed cable cross section of 2.5 mm². Insulation class I. Suitable for installation on normally flammable surfaces.

- LED version with electronic driver with fixed output (ON / OFF), included.
 - LED DALI version with DALI standard digital dimmable electronic driver, included.
- Versions with emergency kit (1/3 hours of autonomy) are available on request.

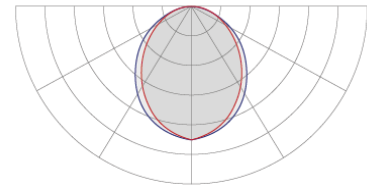
Luminous source: High efficiency LEDs arranged on rigid modules, color rendering CRI> 80 (CRI> 90 available on request), color temperature 3000K or 4000K (LED diode selected 3 MacAdam ellipses in order to guarantee uniform chromaticity), duration> 50000 hours L80 / F10 at Ta = 25 ° C.

Regulations: appliance complies with the following standards:

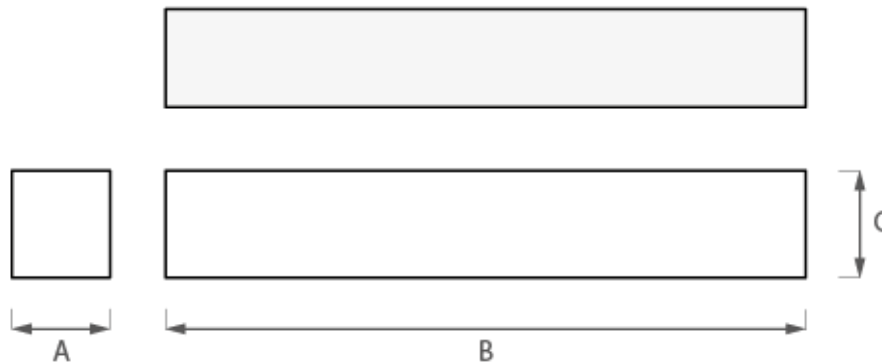
- | | | |
|-----------------|------------------|---------------------------|
| • EN 61547 | • IEC/TR 62471-2 | • EN 60598-2-2 |
| • EN 55015 | • EN 60061-1 | • EN 62471 (risk class 0) |
| • EN 61000-3-2 | • EN 62031 | • EN 62560 |
| • EN 61000-3-3 | • EN 62493 | • EN 60968 |
| • EN 61347-1 | • EN 60598-1 | • CEI 76-10 |
| • EN 61347-2-13 | • EN 60598-2-1 | • EN 60529 |



Demonstration image



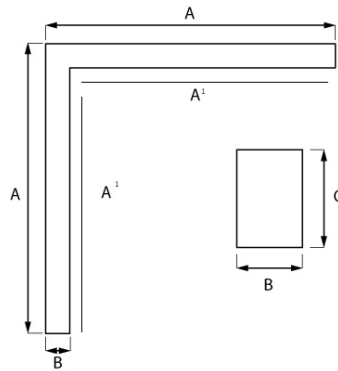
Photometric curve





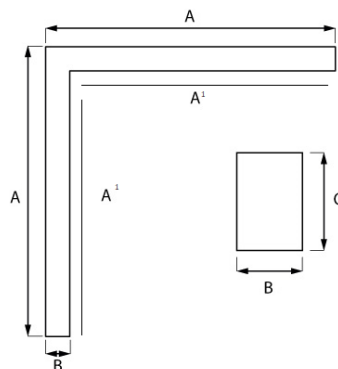
Linear modules

| Power [W] | Color temperature [K] | CRI | Effective flux [lm] * | Efficiency [lm/W] | Energetic class | Dimensions [mm] | | | Code / Wiring | |
|-----------|-----------------------|-----|-----------------------|-------------------|-----------------|-----------------|------|----|---------------|-----------|
| | | | | | | A | B | C | LED | LED DALI |
| 13 | 3000 | >80 | 1105 | 85 | A++ | 50 | 561 | 78 | 660000891 | 660000892 |
| 13 | 4000 | >80 | 1183 | 91 | A++ | 50 | 561 | 78 | 660000893 | 660000894 |
| 20 | 3000 | >80 | 1700 | 85 | A++ | 50 | 841 | 78 | 660001107 | 660000881 |
| 20 | 4000 | >80 | 1820 | 91 | A++ | 50 | 841 | 78 | 660000878 | 660000879 |
| 26 | 3000 | >80 | 2210 | 85 | A++ | 50 | 1121 | 78 | 660000897 | 660000898 |
| 26 | 4000 | >80 | 2366 | 91 | A++ | 50 | 1121 | 78 | 660000895 | 660000896 |
| 33 | 3000 | >80 | 2805 | 85 | A++ | 50 | 1401 | 78 | 660001031 | 660001033 |
| 33 | 4000 | >80 | 3003 | 91 | A++ | 50 | 1401 | 78 | 660001032 | 660001034 |
| 39 | 3000 | >80 | 3315 | 85 | A++ | 50 | 1681 | 78 | 660000899 | 660000900 |
| 39 | 4000 | >80 | 3549 | 91 | A++ | 50 | 1681 | 78 | 660000901 | 660000902 |
| 52 | 3000 | >80 | 4420 | 85 | A++ | 50 | 2241 | 78 | 660000903 | 660000904 |
| 52 | 4000 | >80 | 4732 | 91 | A++ | 50 | 2241 | 78 | 660000905 | 660000906 |
| 65 | 3000 | >80 | 5525 | 85 | A++ | 50 | 2801 | 78 | 660000907 | 660000908 |
| 65 | 4000 | >80 | 5915 | 91 | A++ | 50 | 2801 | 78 | 660000909 | 660000910 |



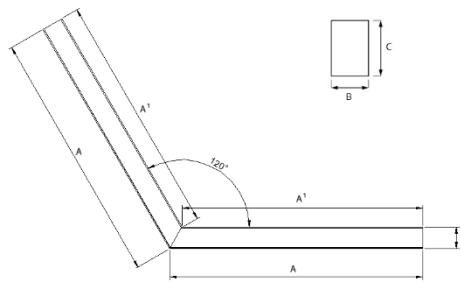
Ceiling corner modules (90°)

| Power [W] | Color temperature [K] | CRI | Effective flux [lm] * | Efficiency [lm/W] | Energetic class | Dimensions [mm] | | | | Code / Wiring | |
|-----------|-----------------------|-----|-----------------------|-------------------|-----------------|-----------------|-----|----|----|---------------|-----------|
| | | | | | | A* | A1* | B | C | LED | LED DALI |
| 26 | 3000 | >80 | 2210 | 85 | A++ | 595 | 545 | 50 | 78 | 660000992 | 660000993 |
| 26 | 4000 | >80 | 2366 | 91 | A++ | 595 | 545 | 50 | 78 | 660000994 | 660000995 |



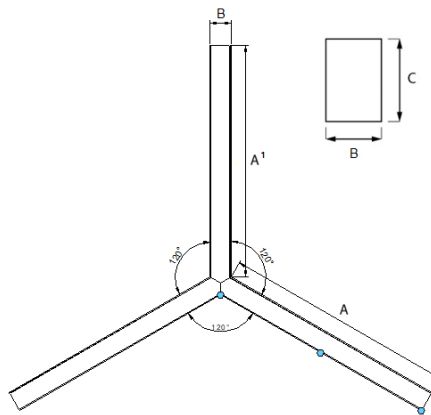
Wall / ceiling corner modules (90°)

| Power [W] | Color temperature [K] | CRI | Effective flux [lm] * | Efficiency [lm/W] | Energetic class | Dimensions [mm] | | | | Code / Wiring | |
|-----------|-----------------------|-----|-----------------------|-------------------|-----------------|-----------------|-----|----|----|---------------|-----------|
| | | | | | | A* | A1* | B | C | LED | LED DALI |
| 26 | 3000 | >80 | 2210 | 85 | A++ | 615 | 537 | 50 | 78 | 660000996 | 660000997 |
| 26 | 4000 | >80 | 2366 | 91 | A++ | 615 | 537 | 50 | 78 | 660000707 | 660000998 |



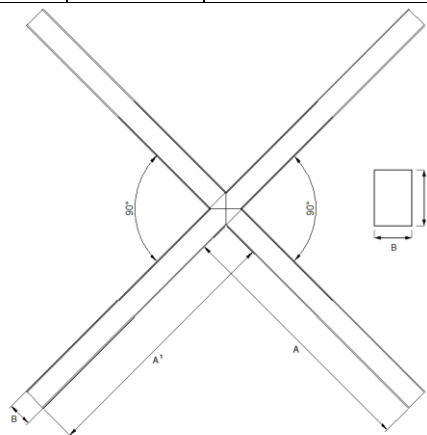
Corner modules (120°)

| Power [W] | Color temperature [K] | CRI | Effective flux [lm] * | Efficiency [lm/W] | Energetic class | Dimensions [mm] | | | | Code / Wiring | |
|-----------|-----------------------|-----|-----------------------|-------------------|-----------------|-----------------|-----|----|----|---------------|-----------|
| | | | | | | A* | A1* | B | C | LED | LED DALI |
| 26 | 3000 | >80 | 2210 | 85 | A++ | 580 | 551 | 50 | 78 | 660000999 | 660001000 |
| 26 | 4000 | >80 | 2366 | 91 | A++ | 580 | 551 | 50 | 78 | 660001001 | 660001002 |



Y Geometry

| Power [W] | Color temperature [K] | CRI | Effective flux [lm] * | Efficiency [lm/W] | Energetic class | Dimensions [mm] | | | | Code / Wiring | |
|-----------|-----------------------|-----|-----------------------|-------------------|-----------------|-----------------|-----|----|----|---------------|-----------|
| | | | | | | A* | A1* | B | C | LED | LED DALI |
| 39 | 3000 | >80 | 3315 | 85 | A++ | 550 | 550 | 50 | 78 | 660001003 | 660001004 |
| 39 | 4000 | >80 | 3549 | 91 | A++ | 550 | 550 | 50 | 78 | 660001005 | 660001006 |



X Geometry

| Power [W] | Color temperature [K] | CRI | Effective flux [lm] * | Efficiency [lm/W] | Energetic class | Dimensions [mm] | | | | Code / Wiring | |
|-----------|-----------------------|-----|-----------------------|-------------------|-----------------|-----------------|-----|----|----|---------------|-----------|
| | | | | | | A* | A1* | B | C | LED | LED DALI |
| 52 | 3000 | >80 | 4420 | 85 | A++ | 545 | 545 | 50 | 78 | 660001007 | 660001008 |
| 52 | 4000 | >80 | 4732 | 91 | A++ | 545 | 545 | 50 | 78 | 660001009 | 660001010 |

* Dimensions excluding the heads (3mm thick each) at the beginning and end of the row.

** Actual flow may have a tolerance of ± 10%

*** The product is supplied as standard without end caps, to be ordered separately.



INSTALLATION ACCESSORIES



COD. TC660004

End caps in aluminum painted in DRY WHITE color.
2-piece kit.



COD. KFC660000

Bracket for installation on plasterboard.
Material galvanized steel sheet.
Including fixing screws.
3-piece kit.



COD. KPR660004

90 ° wall fixing bracket.
Material galvanized steel sheet painted DRY WHITE.
Including fixing screws.
2-piece kit.



COD. KP4660004

45 ° wall fixing bracket.
Material galvanized steel sheet painted DRY WHITE.
Including fixing screws.
2-piece kit.



COD. KFS660000

Union bracket for installation in a continuous line, made of galvanized steel.
Fixing screws supplied.



COD. KS012

Suspension cable L = 2000mm
To be provided 2 pcs for each lamp.



COD. CVT~~x~~X075L020

Transparent power cable. L = 2000m Ø 0,75mmq
Cable available with 3-5-7 poles related to the selected wiring configuration.
Change the red x to the required number of poles.



COD. KS02504E

Electrified square canopy with 2 holes for the passage of the power supply and suspension cable, with connection terminal board. Painted in DRY WHITE color.